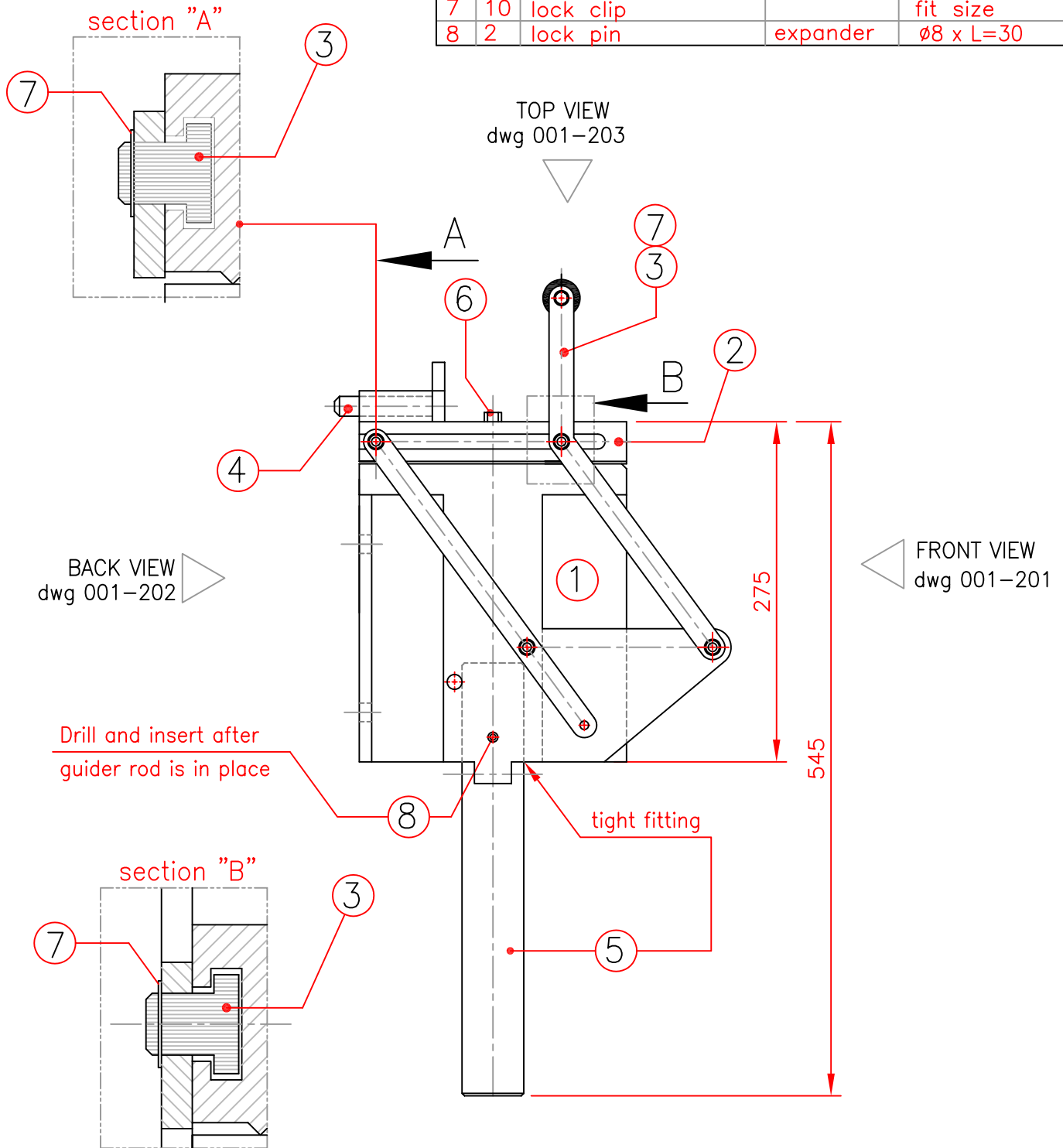


Nr	Qty	Description	Material	Dwg.Nr./Dim.
1	1	Mould body ass'bly		HFP/001-21
2	1	Mould cover		HFP/001-22
3	1	Cover lever system		HFP/001-23
4	2	Cover lock pin		HFP/001-25
5	2	Guider rod		HFP/001-24
6	2	stop screw		M10 L=6
7	10	lock clip		fit size
8	2	lock pin	expander	ø8 x L=30



All dimensions in metric mm.
(mat. thicknesses can be taken in nearest size available)

If unclear contact: engineering@draaisma.net	Dwg. Name	Dwg.Nr.
	Assembly Mould	HFP/001-20
On-line Engineering Consultancy Services		www.draaisma.net/rudi/